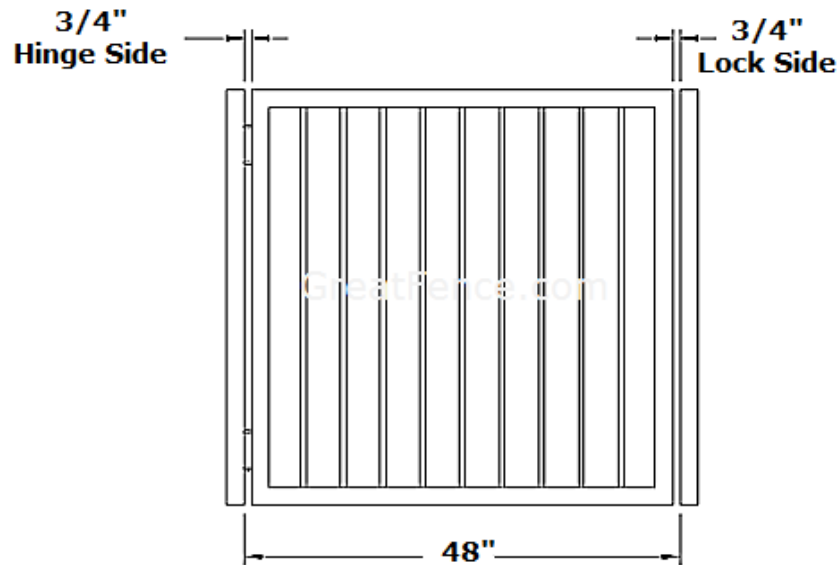


Gate Post Spacing for Standard Single Gates up to 6' wide and Standard Double Gates up to 12' wide

Standard Gate = any gate WITHOUT a designer arch

This following spacing rules do *not* apply to:

1. ANY gate with designer arches
Gate width = inside to inside of post; 10' wide gate = 120" w opening, actual gate width is less than 120"
2. standard Single Gates 7' or wider
Gate width = inside to inside of post; 8' wide gate = 96" w opening, actual gate width is less than 96"
3. standard Double Gates 14' or wider
Gate width = inside to inside of post; 16' wide gate = 192" w opening, actual gate width is less than 192"

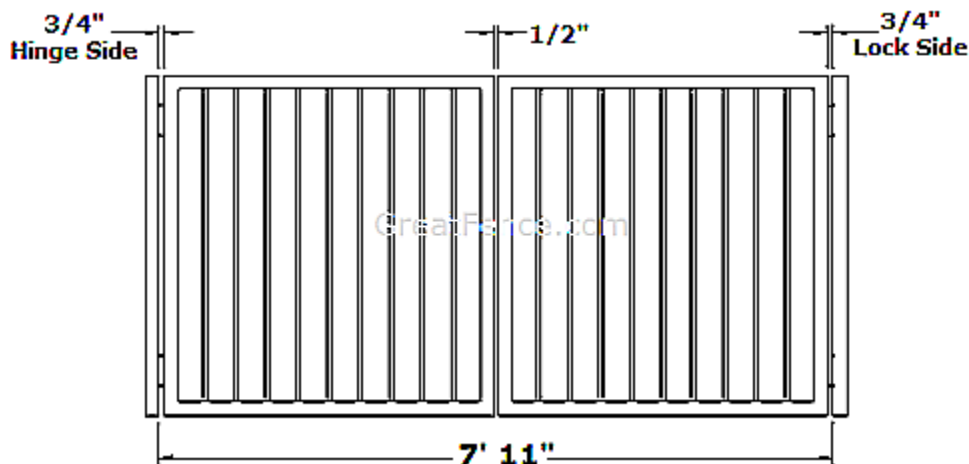


48" Walk Gate post set at 48" clearance opening

same if designer arch included

Actual gate width for a 48" wide single gate is approx. 46.5" wide

Gate Posts to be set at 1" less than gate width/opening measurement for standard double gates 12' wide or less



For a standard (no arch) 8' Double-Drive Gate, set posts at 7'-11" opening

96" if designer arch added

Actual "leaf" width (2 leaves included) is still 46.5" wide / each