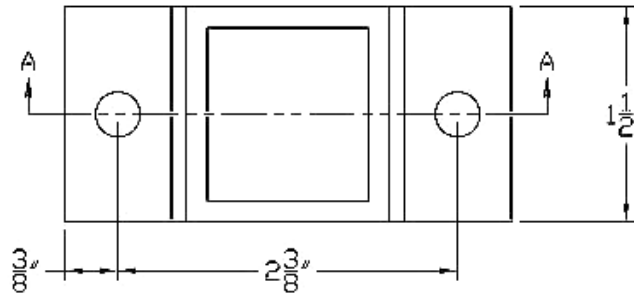


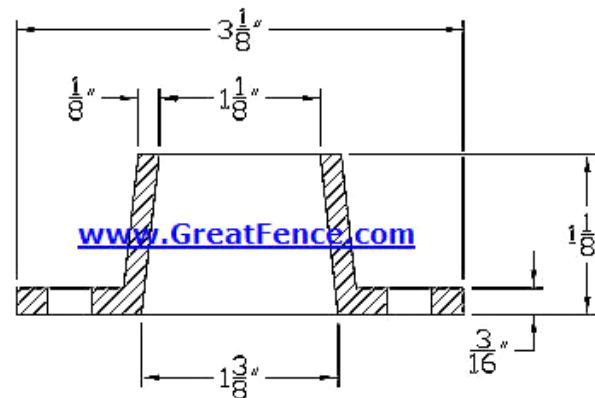
Wall Mount Diagrams for all 4 Grades

For more information regarding the difference between all 4 Grades, see horizontal rail measurements in [Specifications](#)

GRADE 1: Residential



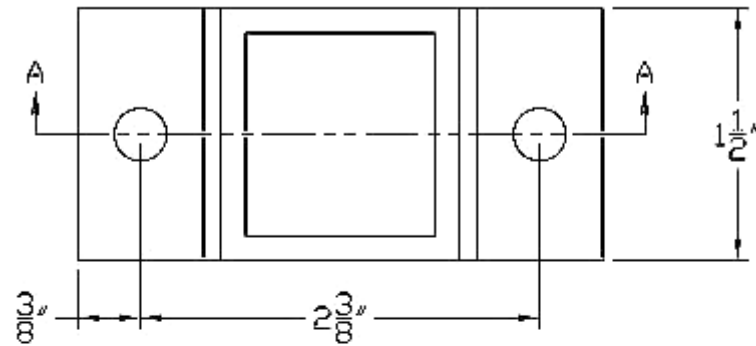
Wall Mounts for
RESIDENTIAL FENCE PANELS



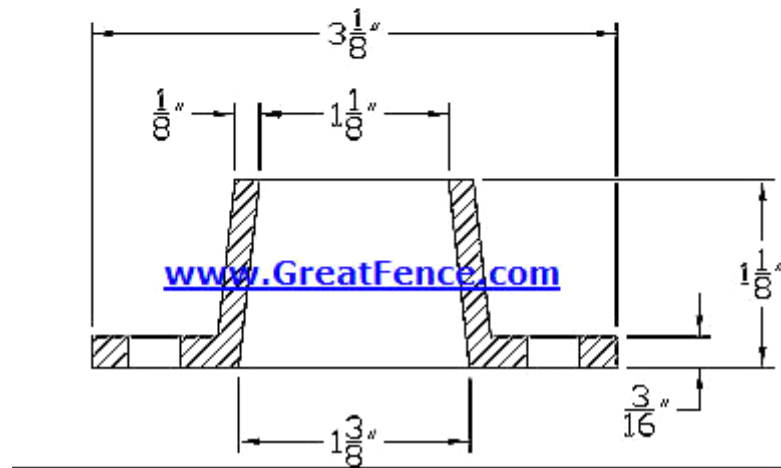
Copyright © 2010 Great Fence Distributors. All rights reserved.

These diagrams are the intellectual property of (and solely owned by) Great Fence Distributors and not to be copied, published or reproduced in any way without the express written consent of Great Fence Distributors.

GRADE 2: Resid-WIDE



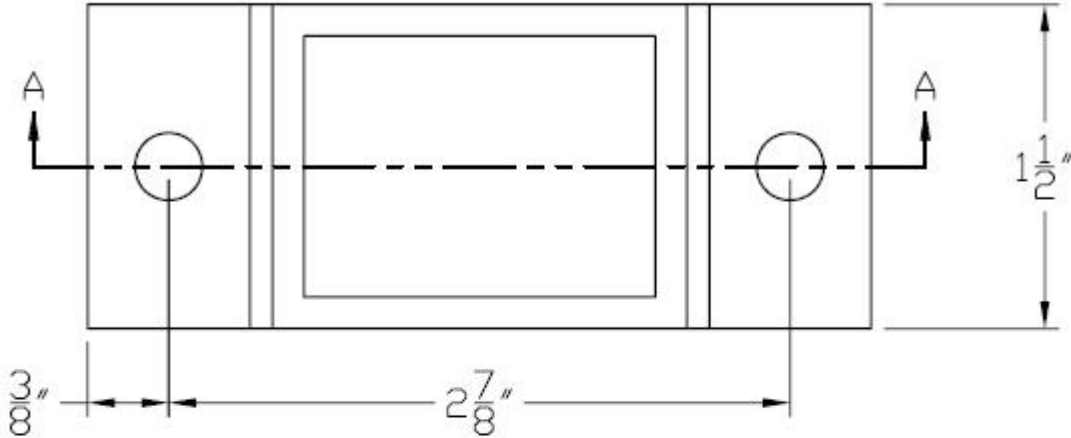
Wall Mounts for
RESIDENTIAL-WIDE Fence Panels



Copyright © 2010 Great Fence Distributors. All rights reserved.

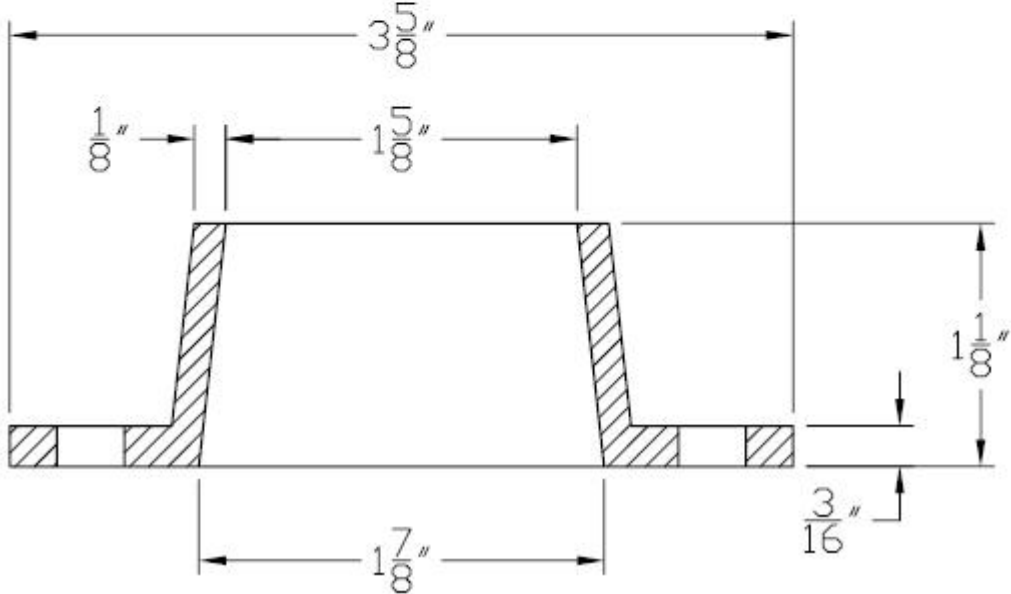
These diagrams are the intellectual property of (and solely owned by) Great Fence Distributors and not to be copied, published or reproduced in any way without the express written consent of Great Fence Distributors.

GRADE 3: COMMERCIAL

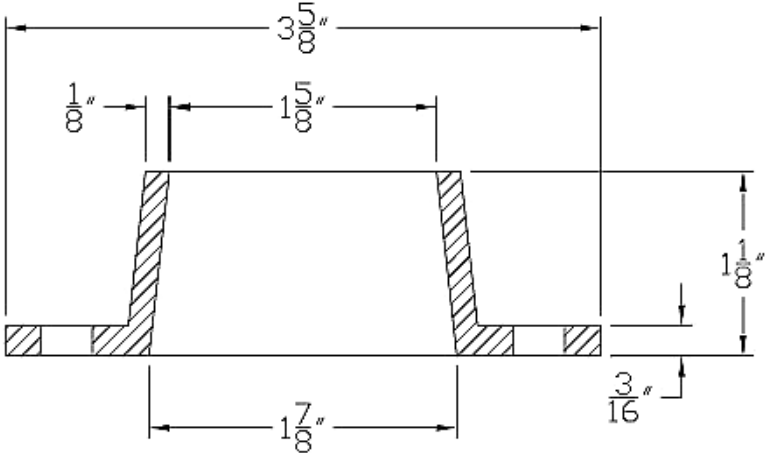
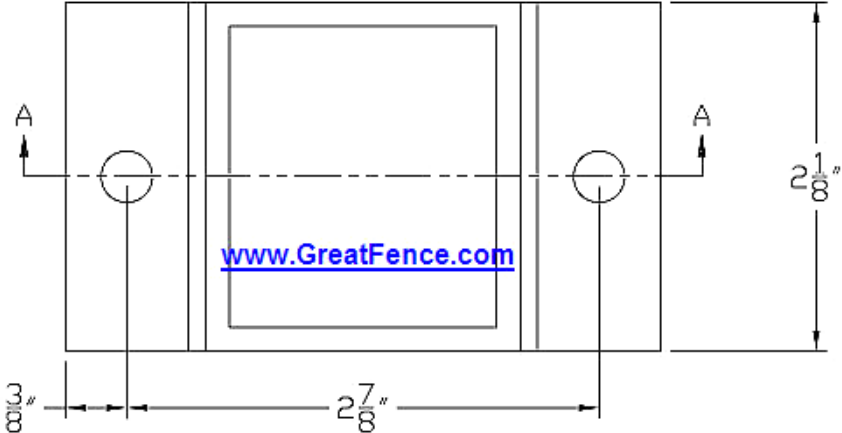


Commercial grade Wall Mount diagram

www.GreatFence.com



GRADE 4: INDUSTRIAL



Copyright © 2010 Great Fence Distributors. All rights reserved.

These diagrams are the intellectual property of (and solely owned by) Great Fence Distributors and not to be copied, published or reproduced in any way without the express written consent of Great Fence Distributors.